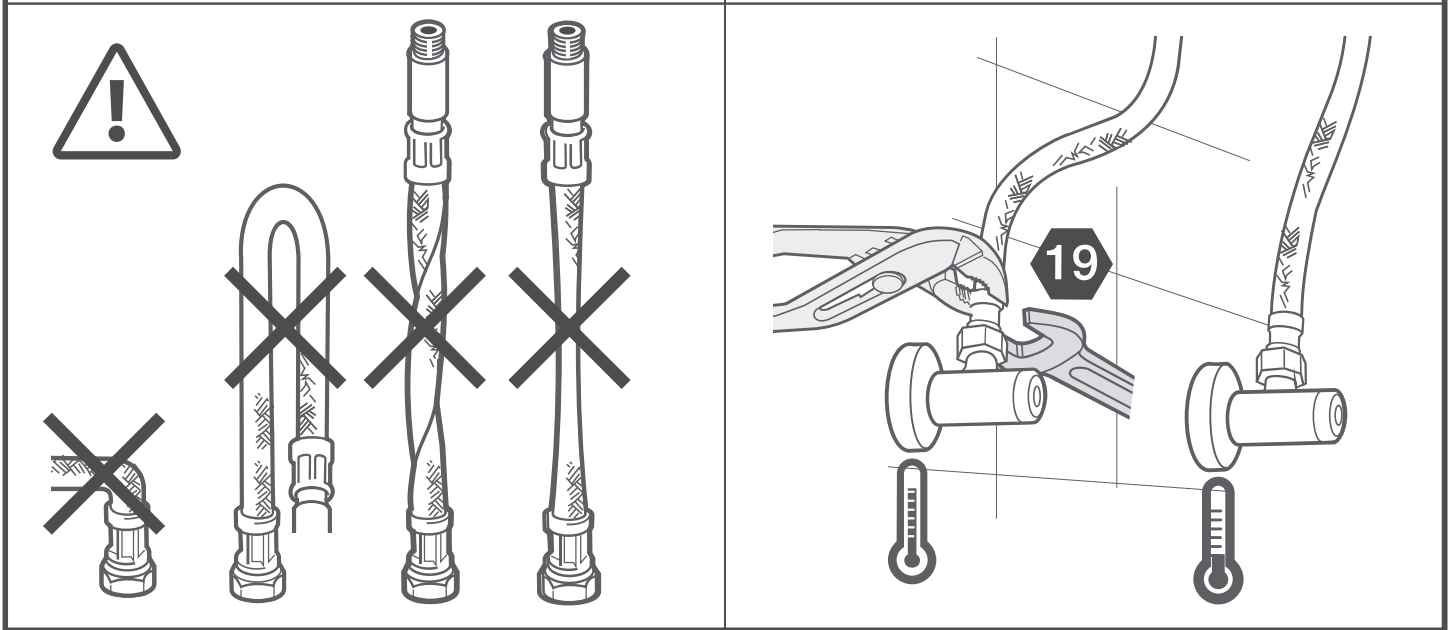
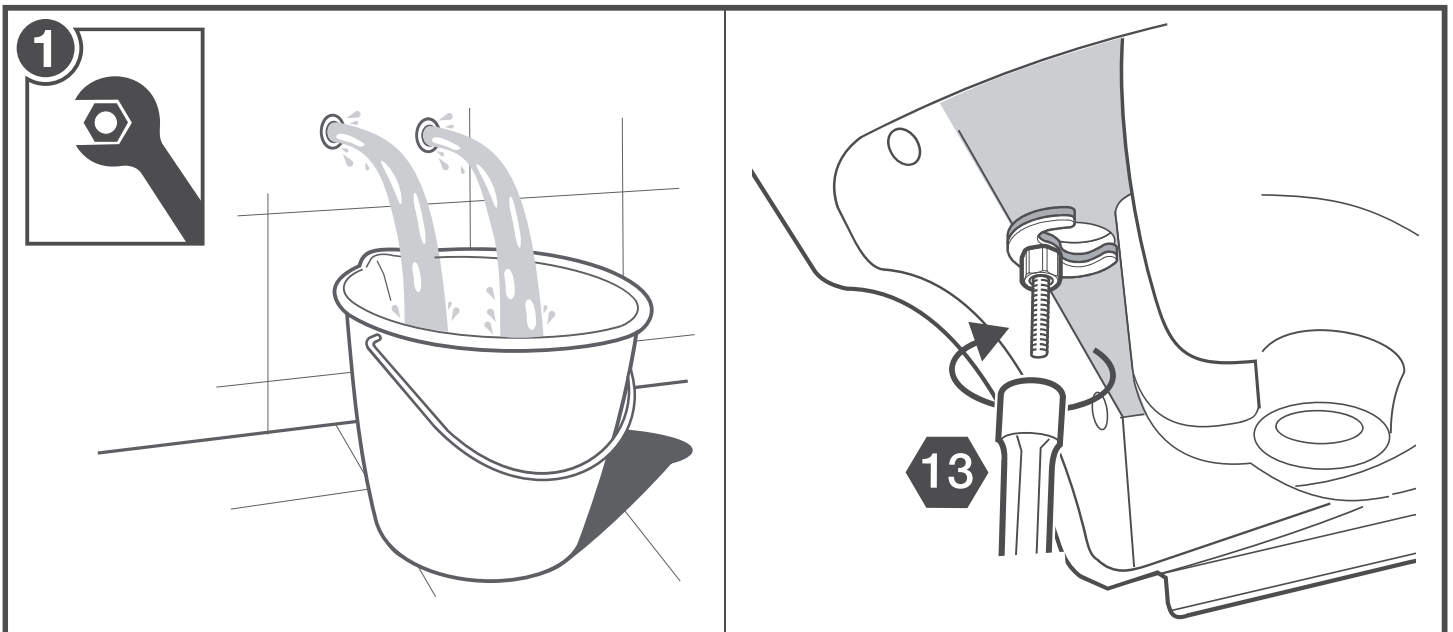











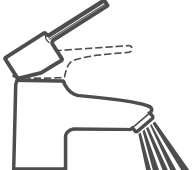

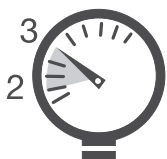






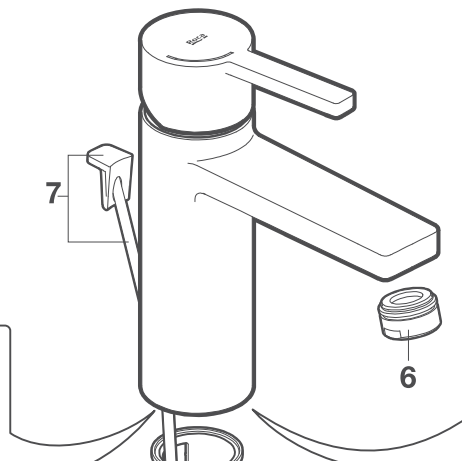
Roca

NAIA





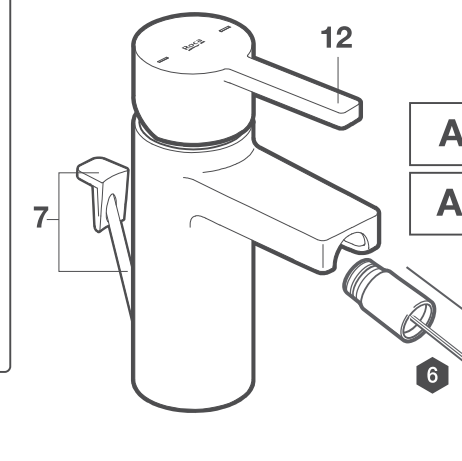
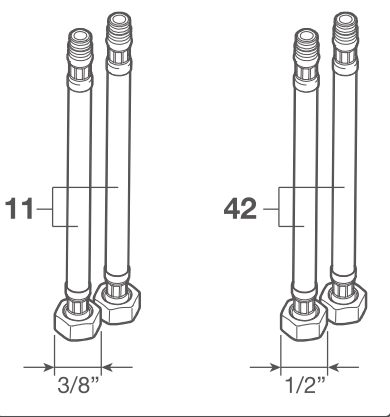
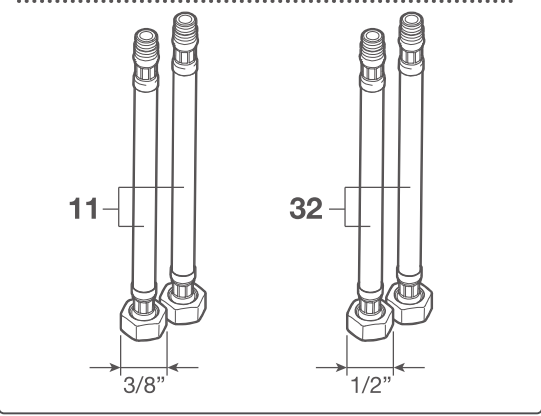
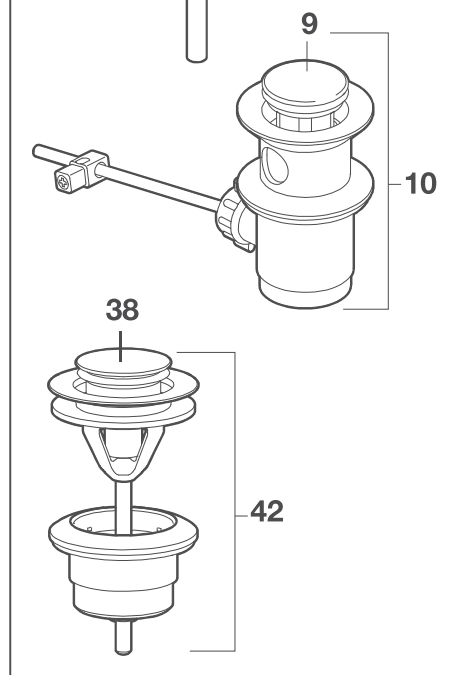
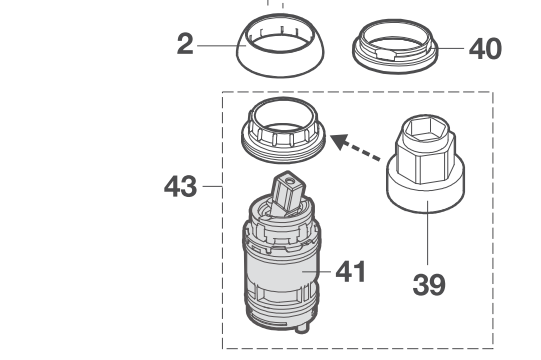
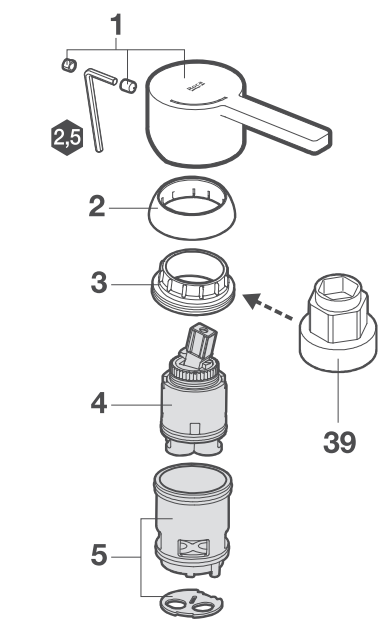
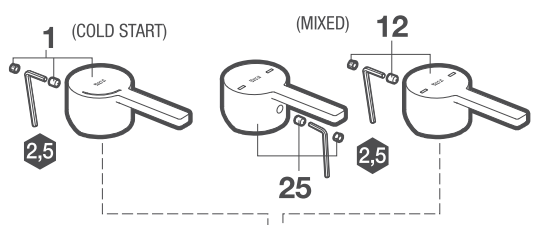
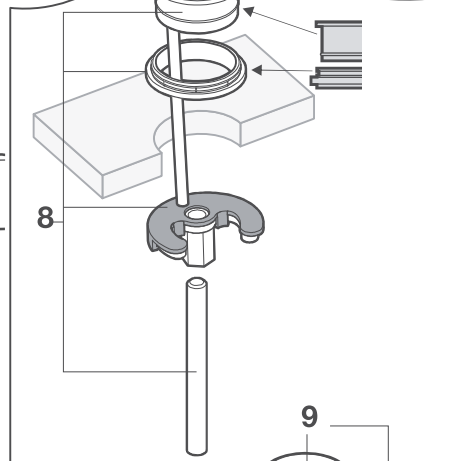
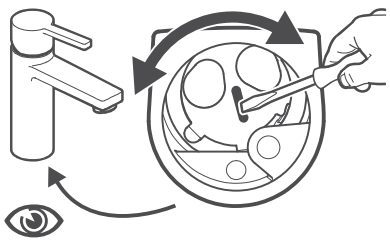
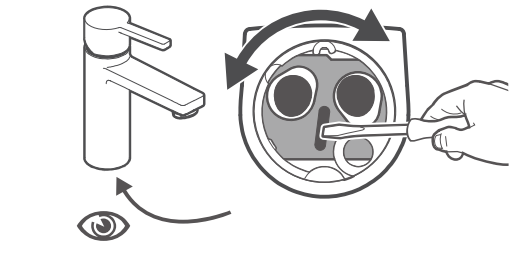
 P 	P bar	 MAX 10
 P 	P bar	MIN 1  5 MAX
  T	°C	 -80 MAX.
 Q (3 bar)	l/min	 5
 	3 2	 -65 -50 
 20		



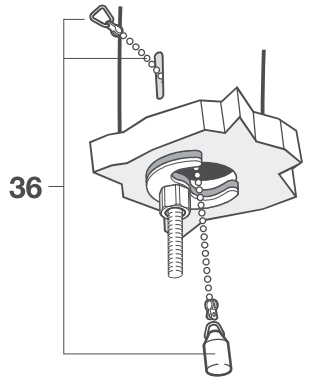
- A5A3096
- A5A3196
- A5A3296
- A5A3A96

- A5A3096
- A5A3196
- A5A3296
- A5A3A96

- A5A3096..M
- A5A3296..M

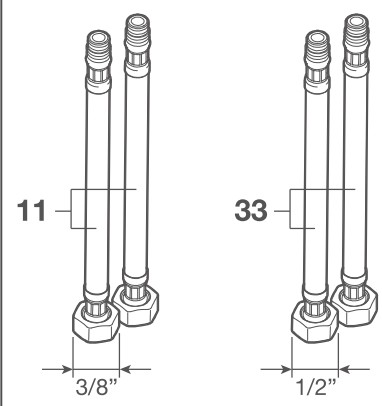
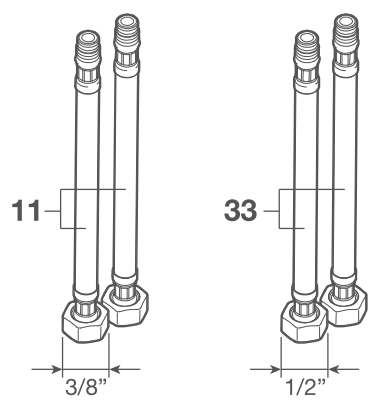
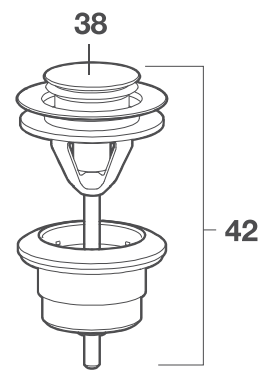
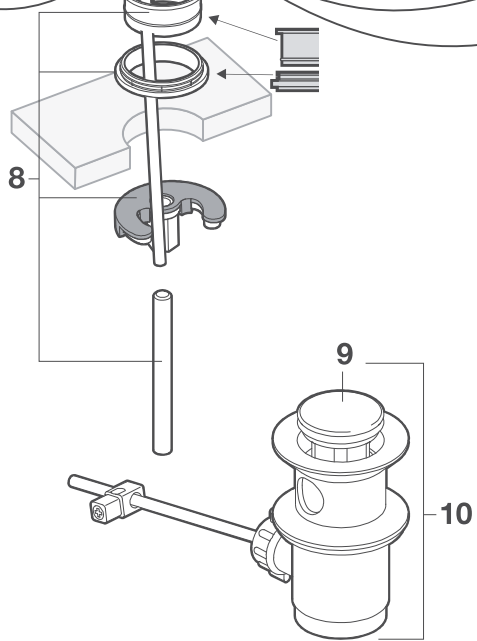
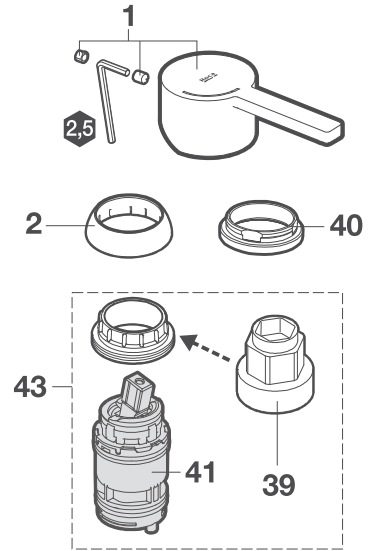
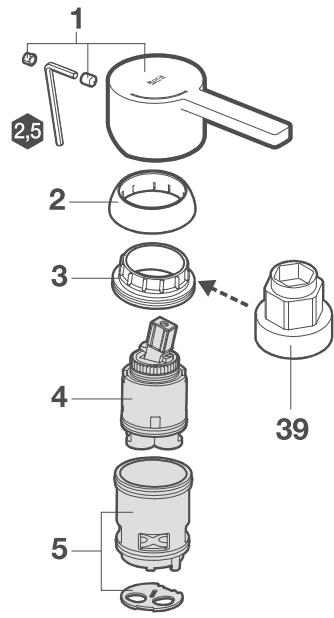
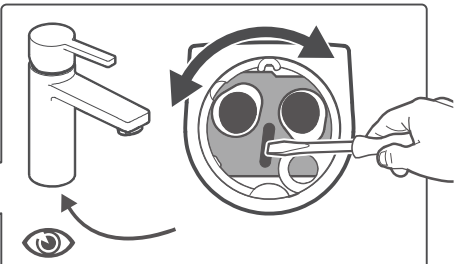
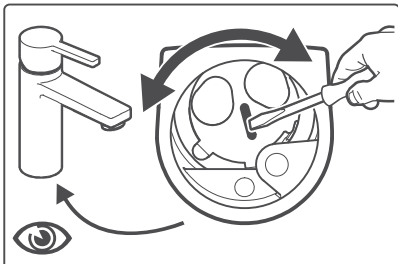
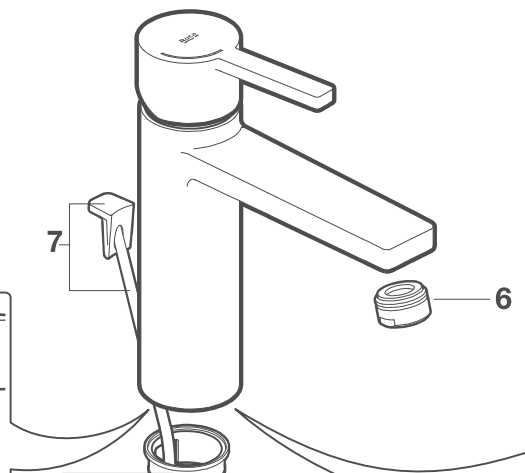


- A5A6096
- A5A6A96



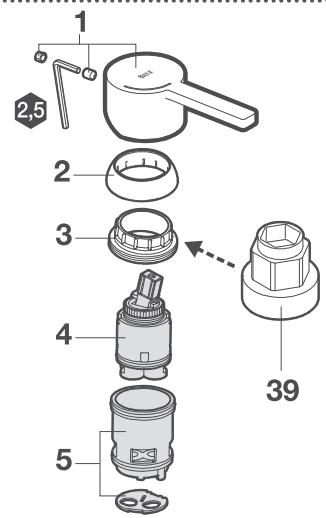
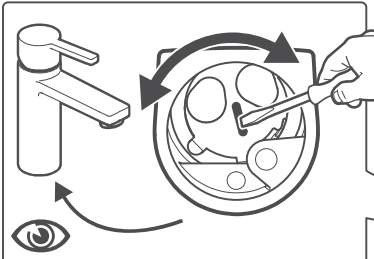
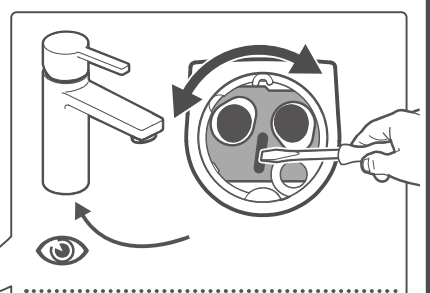
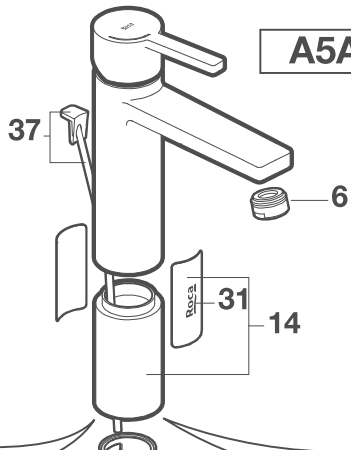


A5A3396
A5A3996

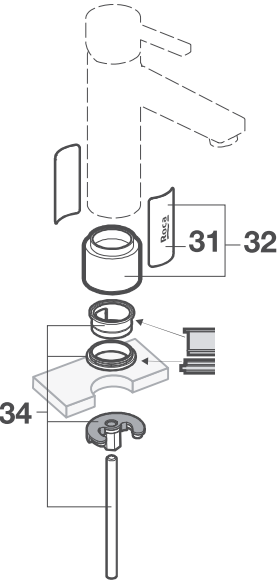




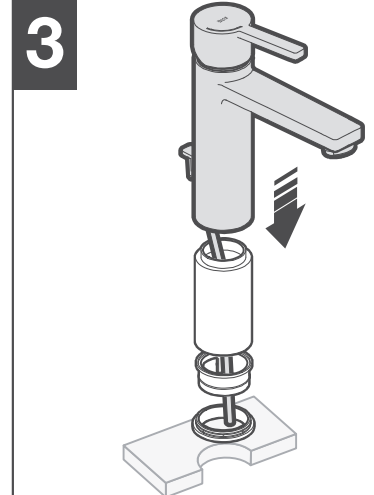
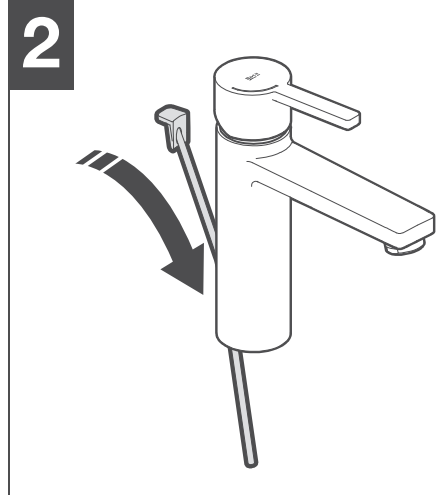
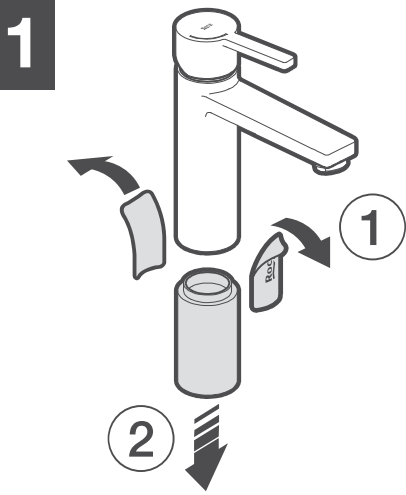
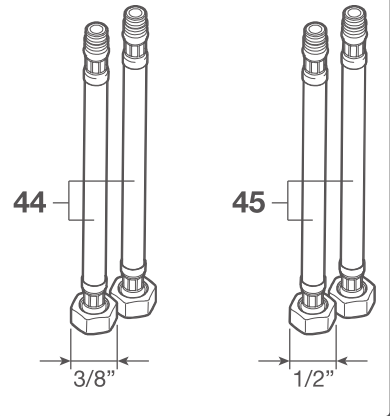
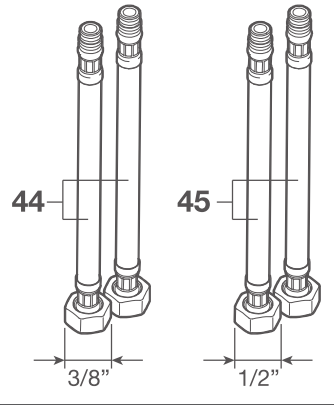
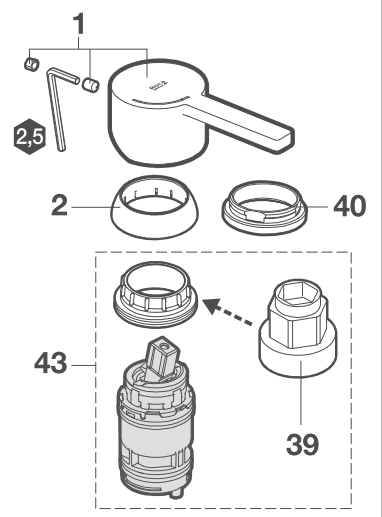
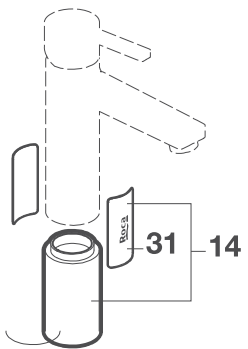
A5A3496

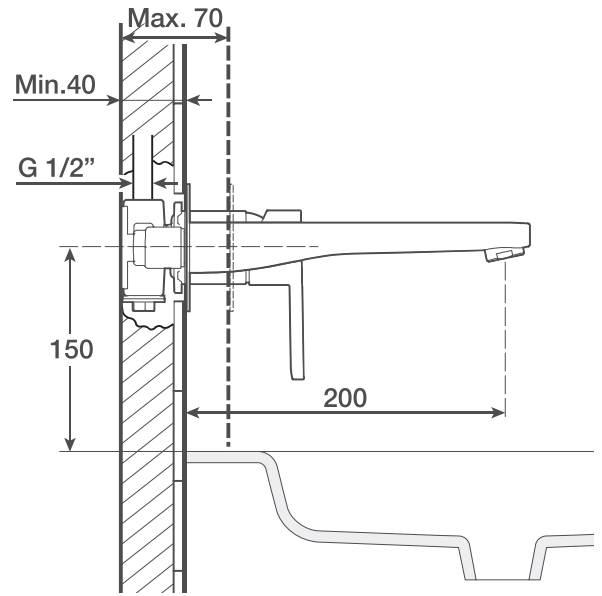


A5A3D96



A5A3796
A5A3B96

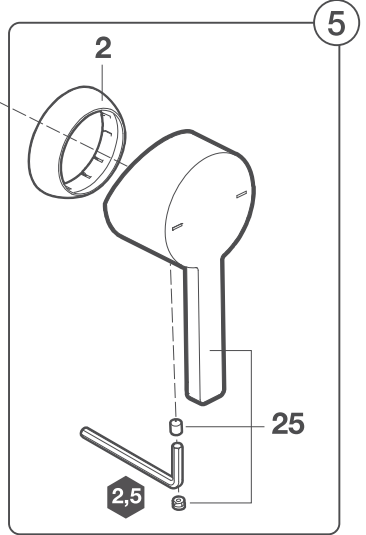
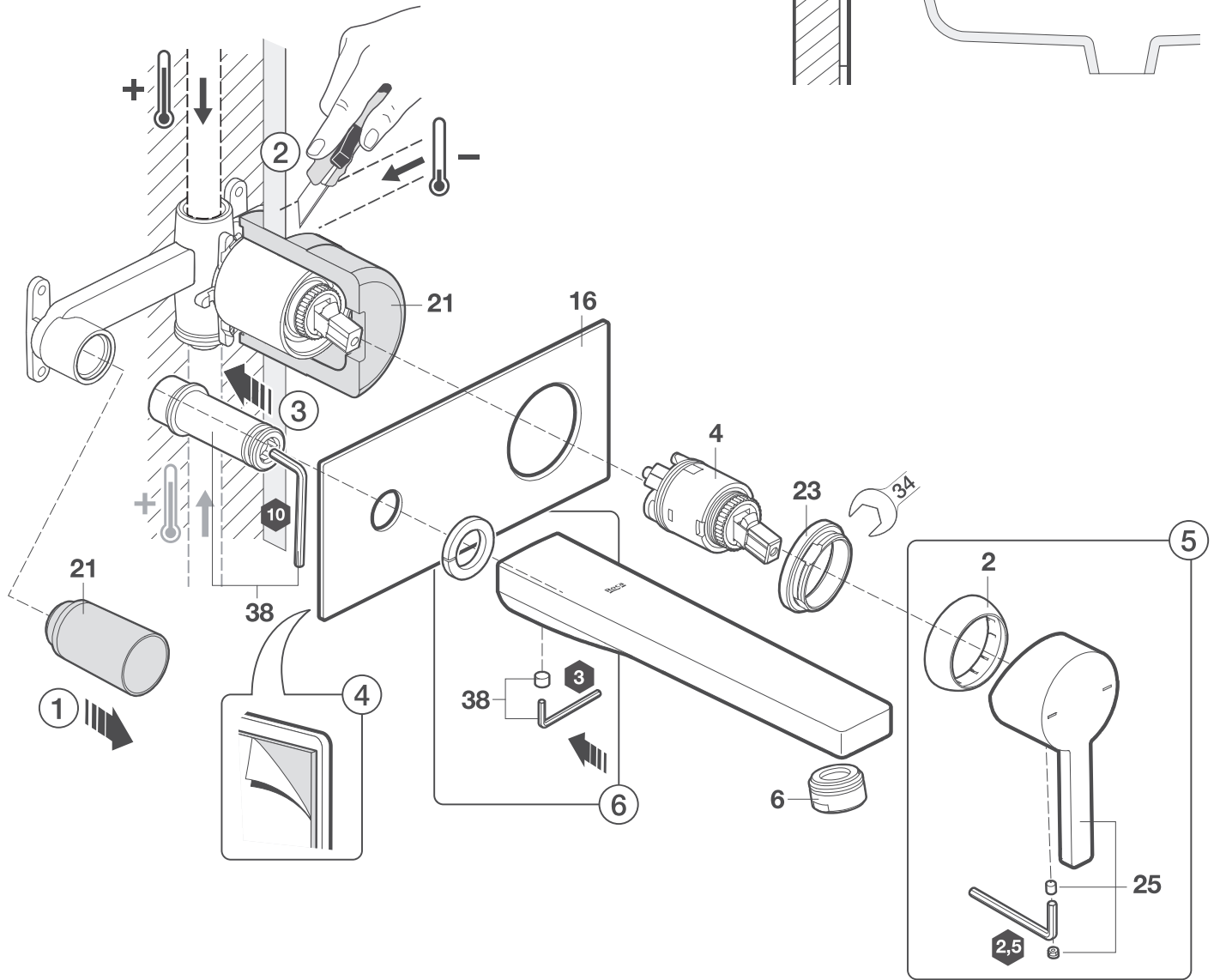




A5252206

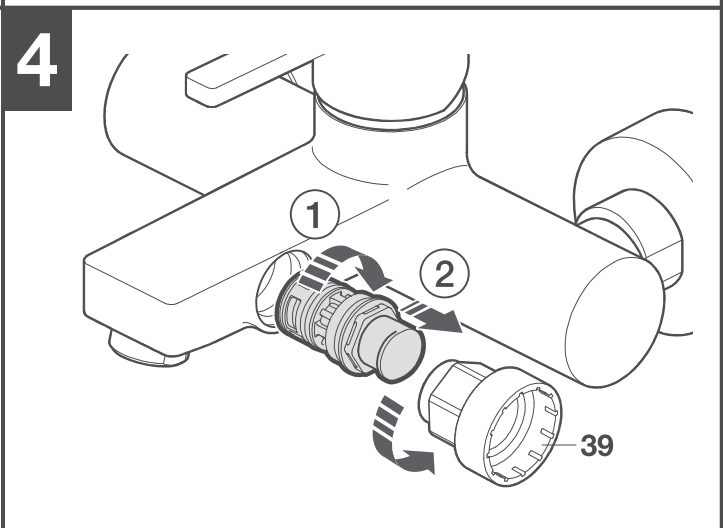
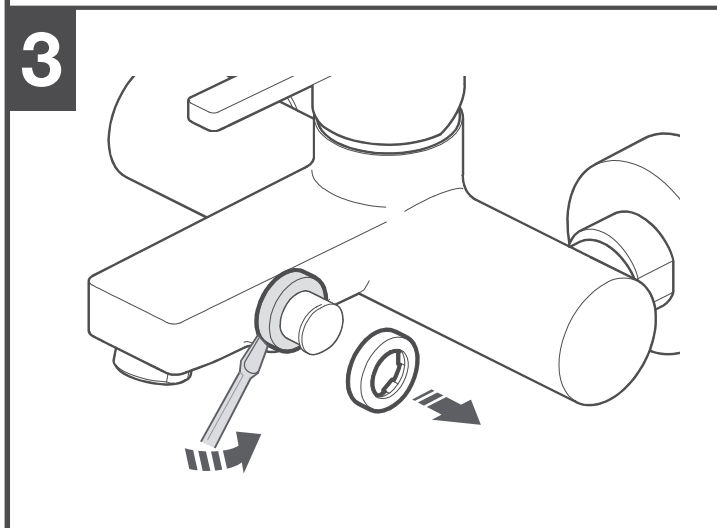
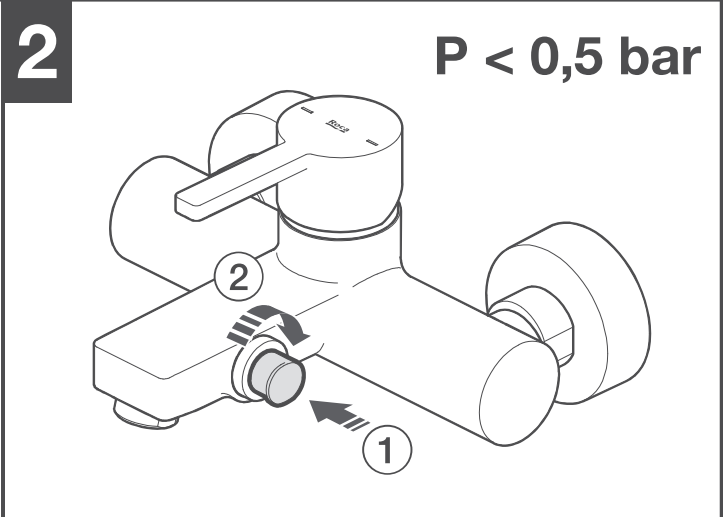
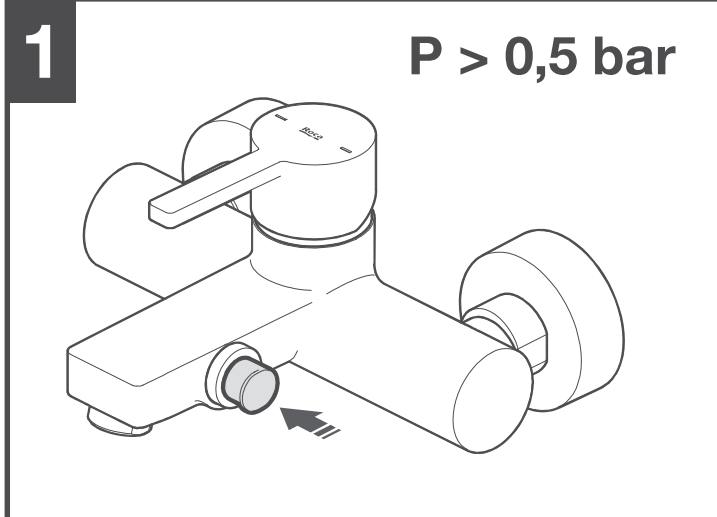
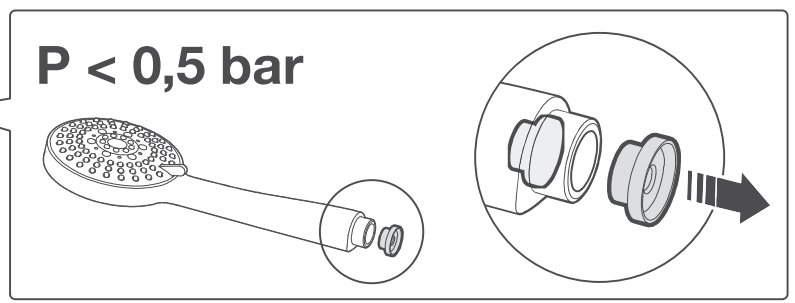
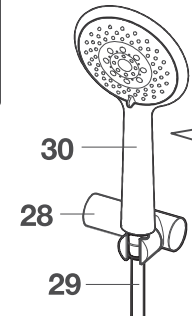
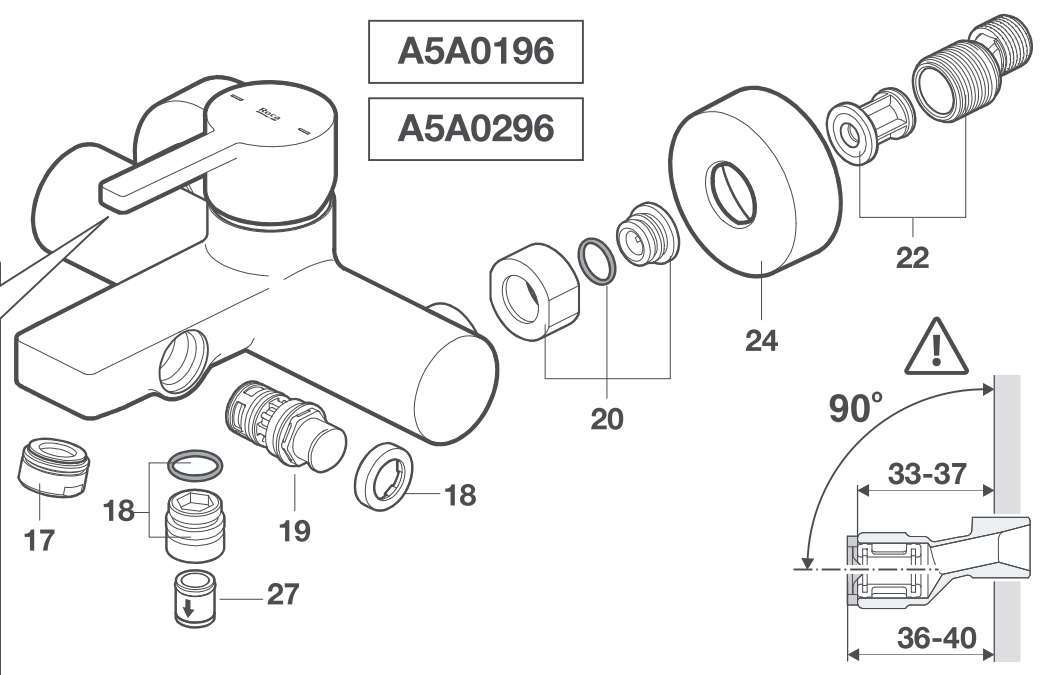
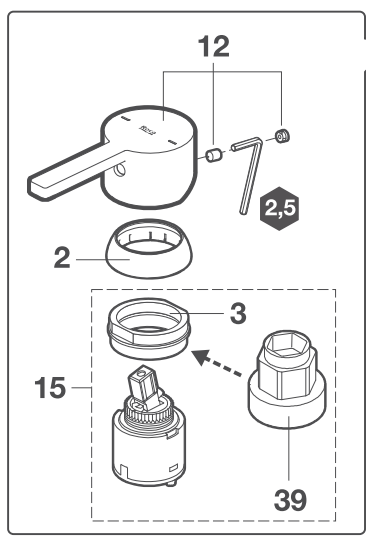
+

A5A3596



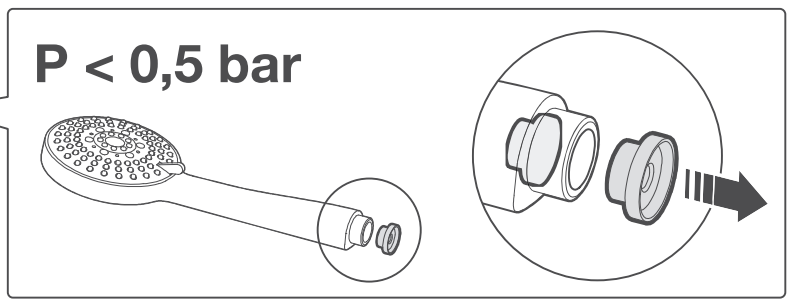
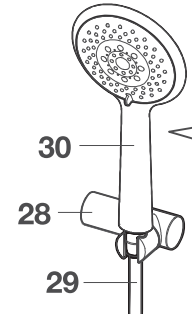
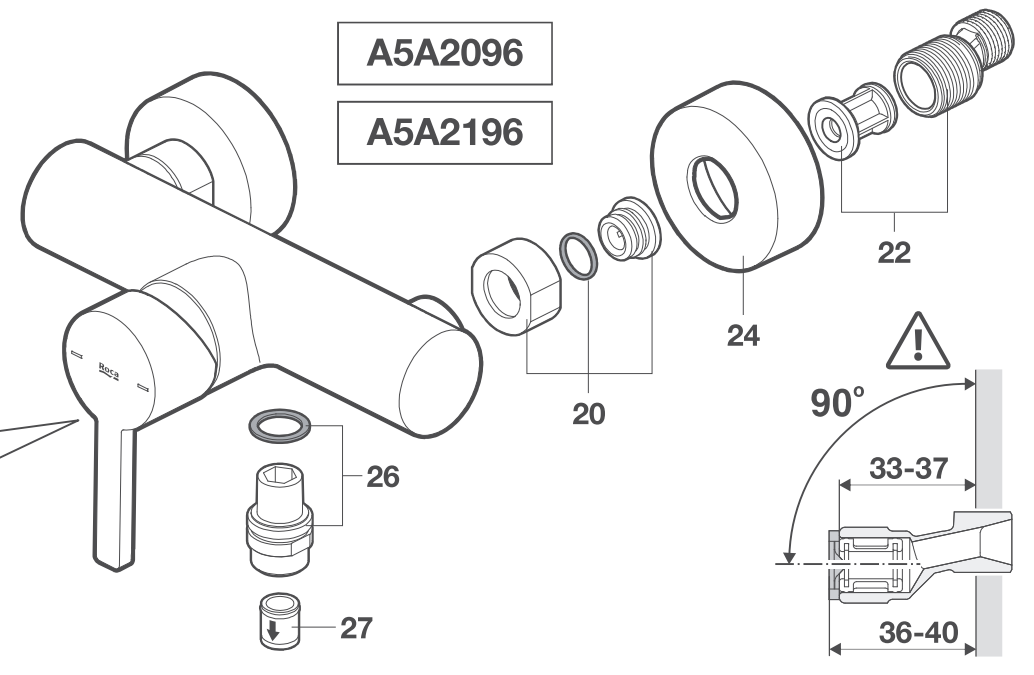
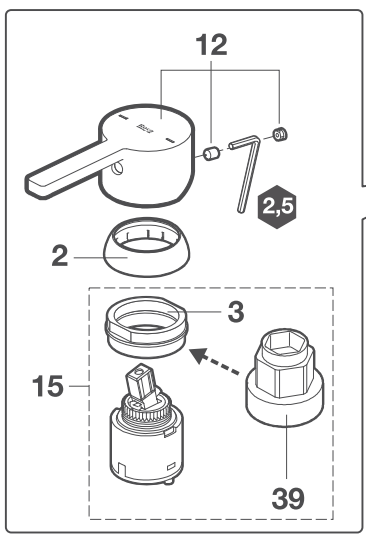


A5A0196
A5A0296

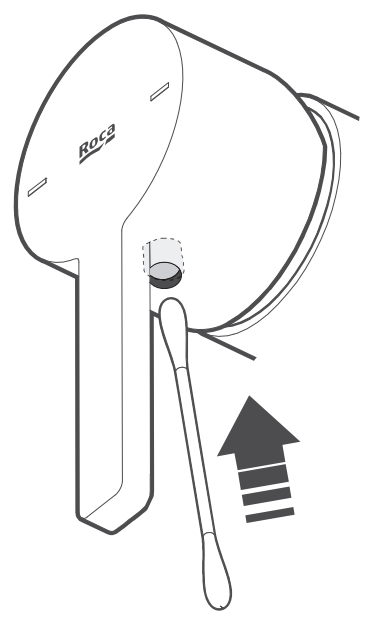




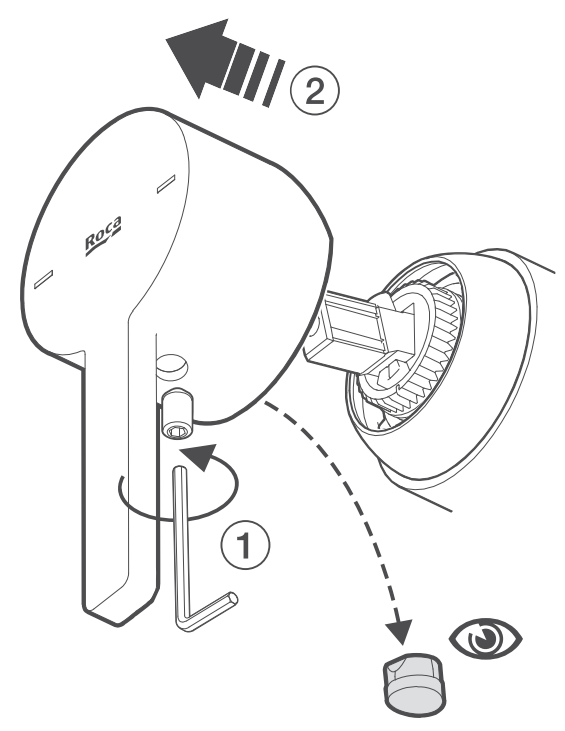
A5A2096
A5A2196



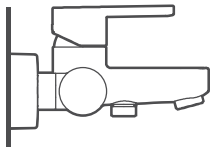
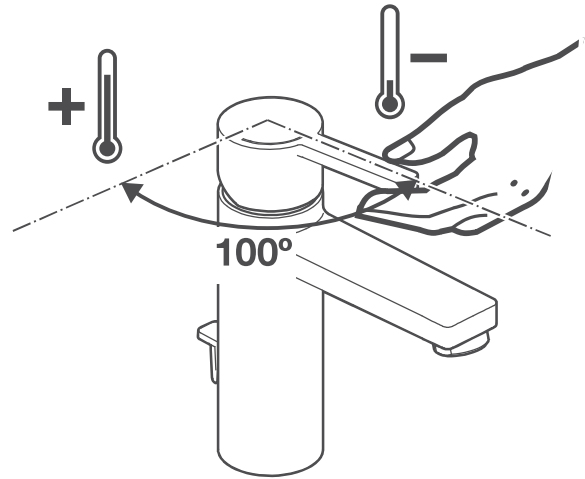
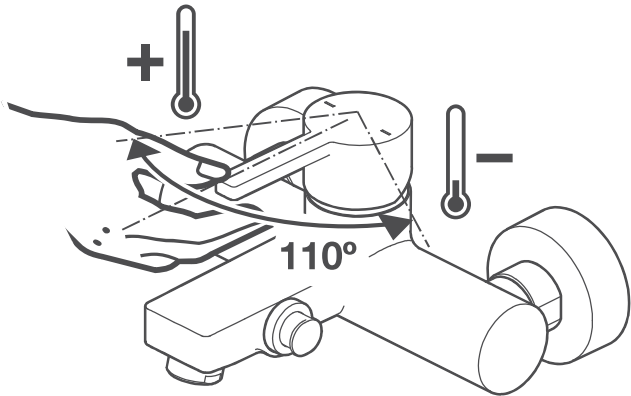
1



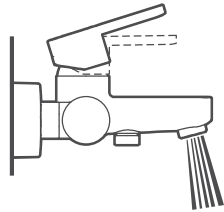
2



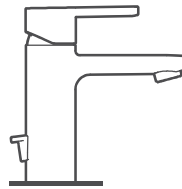
8



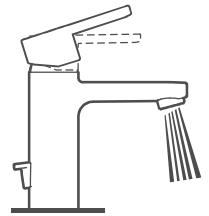
0%



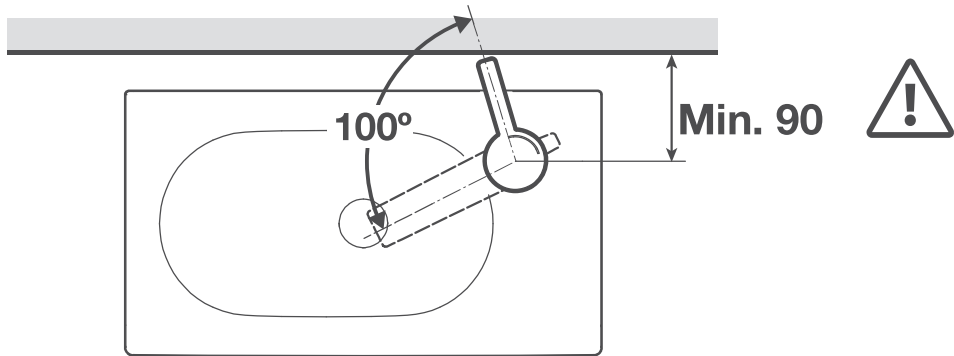
100%



0%



100%



1	-	AG01365..R	
2	-	AG00853..R	
3	-	A525023507	
4	-	AG0173300R	
5	-	AG0096307R	
6	-	AG00466..R	
7	-	A525020600	
8	-	AG0136603R	
9	-	AG0096200R	
10	-	AG0075300R	
11	-	AG0096409R	L-470
12	-	AG01269..R	
13	-	A525003507	CROMO / CHROME
	-	AG01966..R	
14	-	AG01368..R	
15	-	AG0110607R	

16	-	AG01372..R	
17	-	A525003600	CROMO / CHROME
		AG02128..R	
18	-	A525024200	CROMO / CHROME
	-	AG02130..R	
19	-	A525023600	CROMO / CHROME
	-	AG02129..R	
20	-	AG02131..R	
21	-	AG0001907R	
22	-	AG0103908R	
23	-	AG0142100R	
24	-	AG01168..R	
25	-	AG01370..R	
26	-	AG00368..R	
27	-	A525005507	
28	-	AG0003700R	

29	-	A525009800	
30	-	A5B1B03..0	
31	-	AG0117207R	
32	-	AG0136700R	
33	-	AG0126009R	L-600
34	-	AG0136903R	
35	-	AG0033300R	
36	-	A525004600	
37	-	AG0117300R	
38	-	AG0155000R	
39	-	A525005407	
40	-	AG0163900R	
41	-	AG0159300R	
42	-	A5054009..	
43	-	AG0200700R	
44	-	AG0096509R	L-600
45	-	AG0125909R	L-600

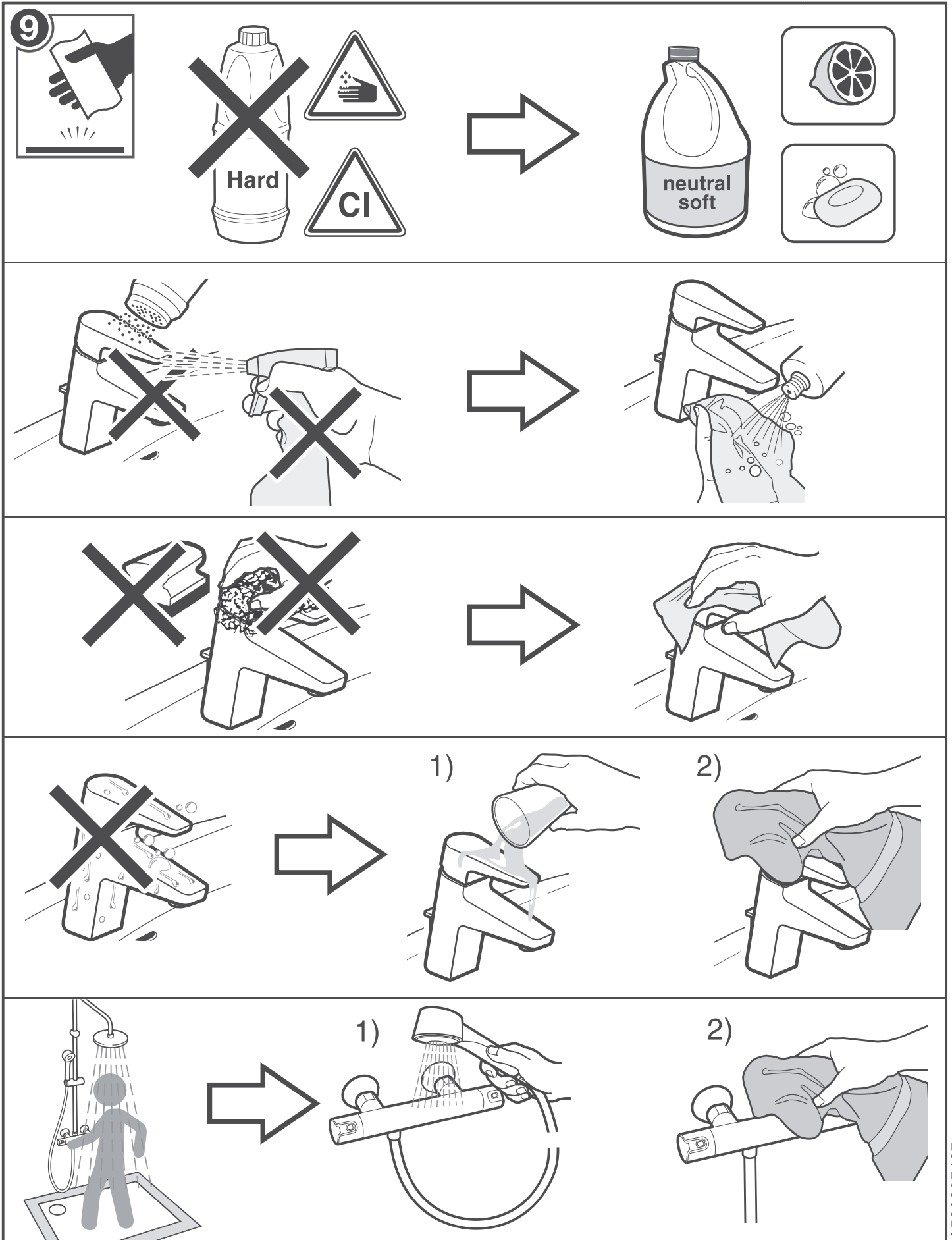
CÓDIGO / CODE

0000000 0

ACABADO / FINISH



www.roca.net



A523097407p